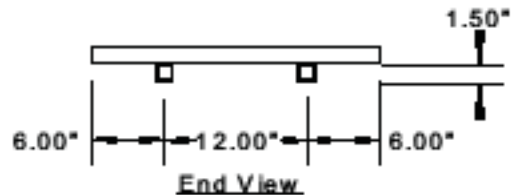


**Bottom View**



**End View**

**NOTE: ALL DIMENSIONS ARE +/- 1/16"**

**Color: GRAY SAND**

**BestDeck 24 16**

**Customer Initials: \_\_\_\_\_**

**Date: \_\_\_\_\_**

Please circle the color of the decking; the board size - 24 is 2" x 4" (1.5" x 5.5") or 16 is 5/4 x 6" (1.25" x 5.5"); and the direction and the dimensions of the panel is correct.

Direction: Normal placement of the boards in a panel is perpendicular to the traffic direction of the dock section. This allows for a smooth transition from panel to panel where the finished edge (5.5") meet.

Note that the 4' panel width dimension is actually 47.5" to allow equal spacing between panels.

Make sure that the direction and position of the underside cleats will fall between the stringers of your dock frame; and that the 1.75" spacing from the end of the cleat to the finished edge of the boards is adequate to miss perpendicular cross members.

Also, determine if the open ends of the boards will be left open, will require snap in end caps, or Bestdeck fascia board.

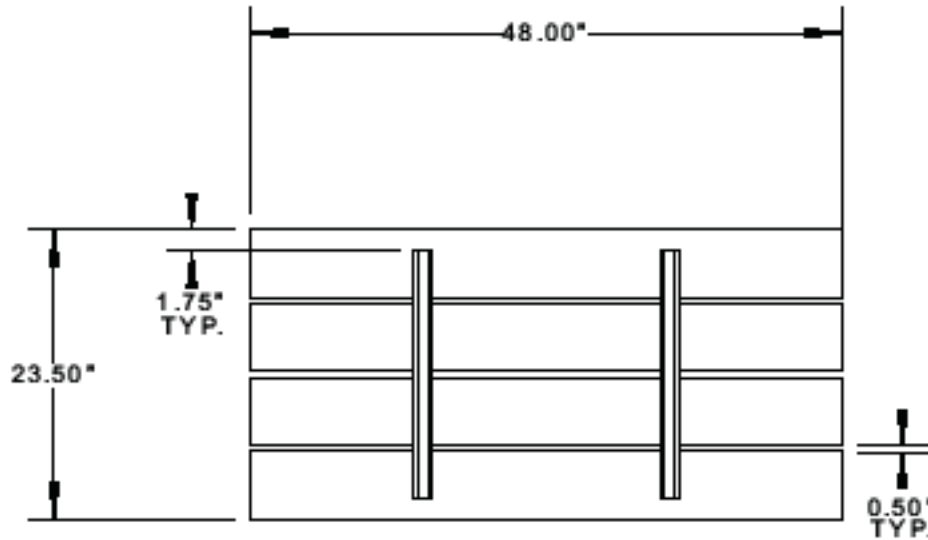


Color: GRAY SAND

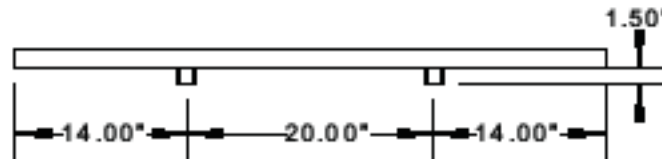
BestDeck 24 16

Customer Initials: \_\_\_\_\_

Date: \_\_\_\_\_



Bottom View



End View

NOTE: ALL DIMENSIONS ARE +/- 1/16"

Please circle the color of the decking; the board size - 24 is 2" x 4" (1.5" x 5.5") or 16 is 5/4 x 6" (1.25" x 5.5"); and the direction and the dimensions of the panel is correct.

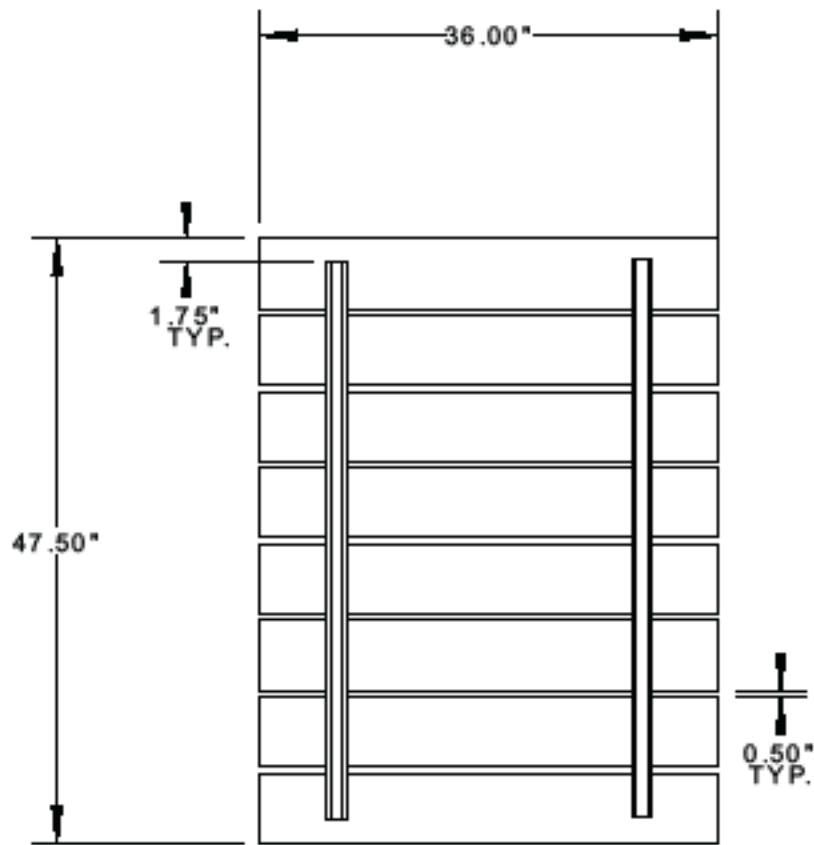
Direction: Normal placement of the boards in a panel is perpendicular to the traffic direction of the dock section. This allows for a smooth transition from panel to panel where the finished edge (5.5") meet.

Note that the 4' panel width dimension is actually 47.5" to allow equal spacing between panels.

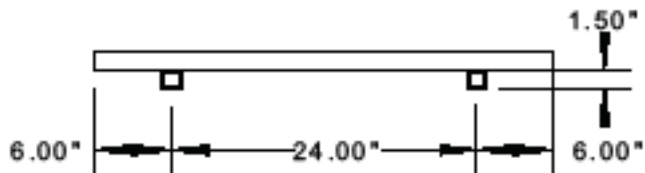
Make sure that the direction and position of the underside cleats will fall between the stringers of your dock frame; and that the 1.75" spacing from the end of the cleat to the finished edge of the boards is adequate to miss perpendicular cross members.

Also, determine if the open ends of the boards will be left open, will require snap in end caps, or Bestdeck fascia board.





Bottom View



End View

NOTE: ALL DIMENSIONS ARE +/- 1/16"

Color:            GRAY                    SAND

BestDeck 24                    16

Customer Initials: \_\_\_\_\_

Date: \_\_\_\_\_

Please circle the color of the decking; the board size - 24 is 2" x 4" (1.5" x 5.5") or 16 is 5/4 x 6" (1.25" x 5.5"); and the direction and the dimensions of the panel is correct.

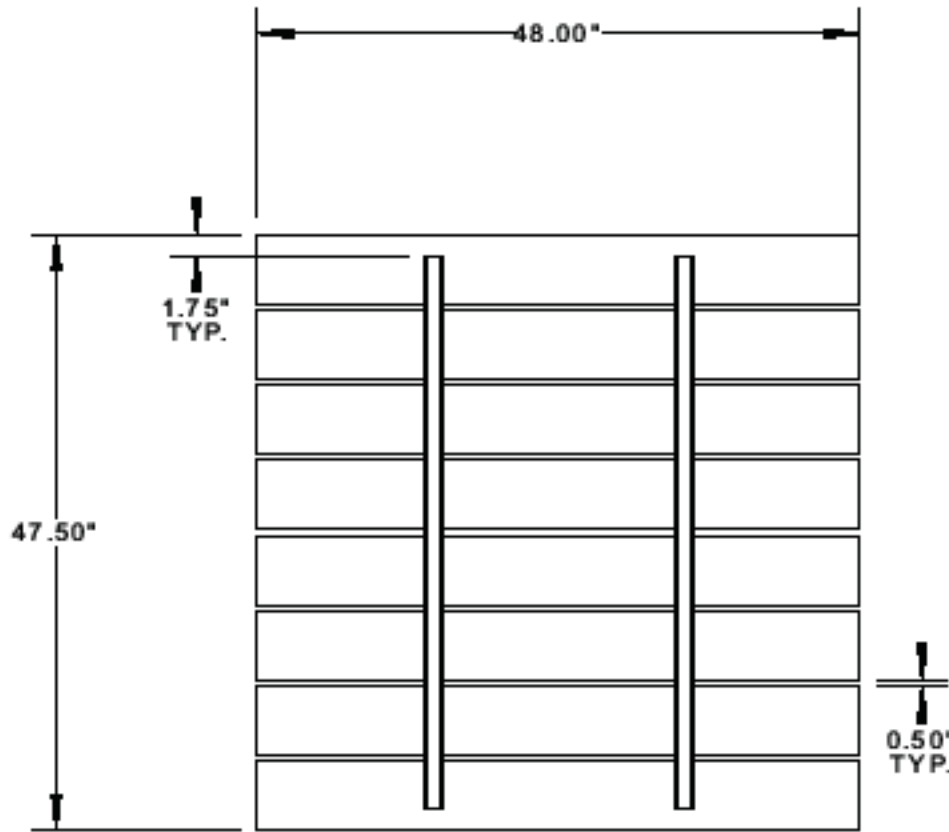
Board Direction: Normal placement of the boards in a panel is perpendicular to the traffic direction of the dock section. This allows for a smooth transition from panel to panel where the finished edge (5.5") meet.

Note that the 4' panel width dimension is actually 47.5" to allow equal spacing between panels.

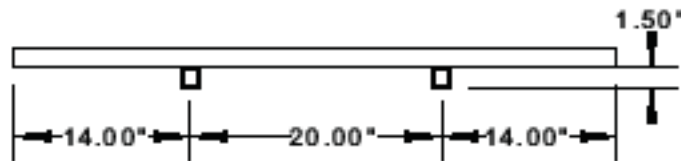
Make sure that the direction and position of the underside cleats will fall between the stringers of your dock frame; and that the 1.75" spacing from the end of the cleat to the finished edge of the boards is adequate to miss perpendicular cross members.

Also, determine if the open ends of the boards will be left open, will require snap in end caps, or Bestdeck fascia board.





**Bottom View**



**End View**

NOTE: ALL DIMENSIONS ARE +/- 1/16"

Color: GRAY SAND

BestDeck 24 16

Customer Initials: \_\_\_\_\_

Date: \_\_\_\_\_

Please circle the color of the decking; the board size - 24 is 2" x 4" (1.5" x 5.5") or 16 is 5/4 x 6" (1.25" x 5.5"); and the direction and the dimensions of the panel is correct.

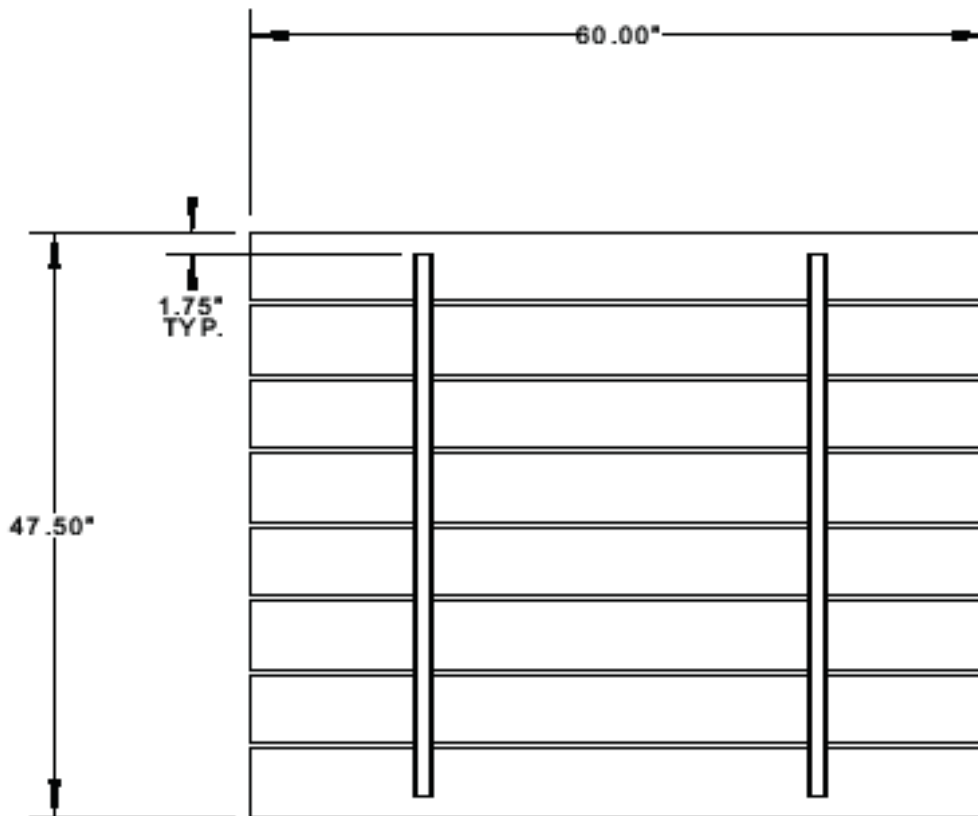
Board Direction: Normal placement of the boards in a panel is perpendicular to the traffic direction of the dock section. This allows for a smooth transition from panel to panel where the finished edge (5.5") meet.

Note that the 4' panel width dimension is actually 47.5" to allow equal spacing between panels.

Make sure that the direction and position of the underside cleats will fall between the stringers of your dock frame; and that the 1.75" spacing from the end of the cleat to the finished edge of the boards is adequate to miss perpendicular cross members.

Also, determine if the open ends of the boards will be left open, will require snap in end caps, or Bestdeck





**Bottom View**

Color: GRAY SAND

BestDeck 24 16

Customer Initials: \_\_\_\_\_

Date: \_\_\_\_\_

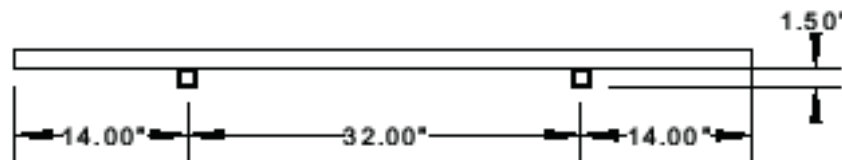
Please circle the color of the decking; the board size - 24 is 2" x 4" (1.5" x 5.5") or 16 is 5/4 x 6" (1.25" x 5.5"); and the direction and the dimensions of the panel is correct.

Board Direction: Normal placement of the boards in a panel is perpendicular to the traffic direction of the dock section. This allows for a smooth transition from panel to panel where the finished edge (5.5") meet.

Note that the 4' panel width dimension is actually 47.5" to allow equal spacing between panels.

Make sure that the direction and position of the underside cleats will fall between the stringers of your dock frame; and that the 1.75" spacing from the end of the cleat to the finished edge of the boards is adequate to miss perpendicular cross members.

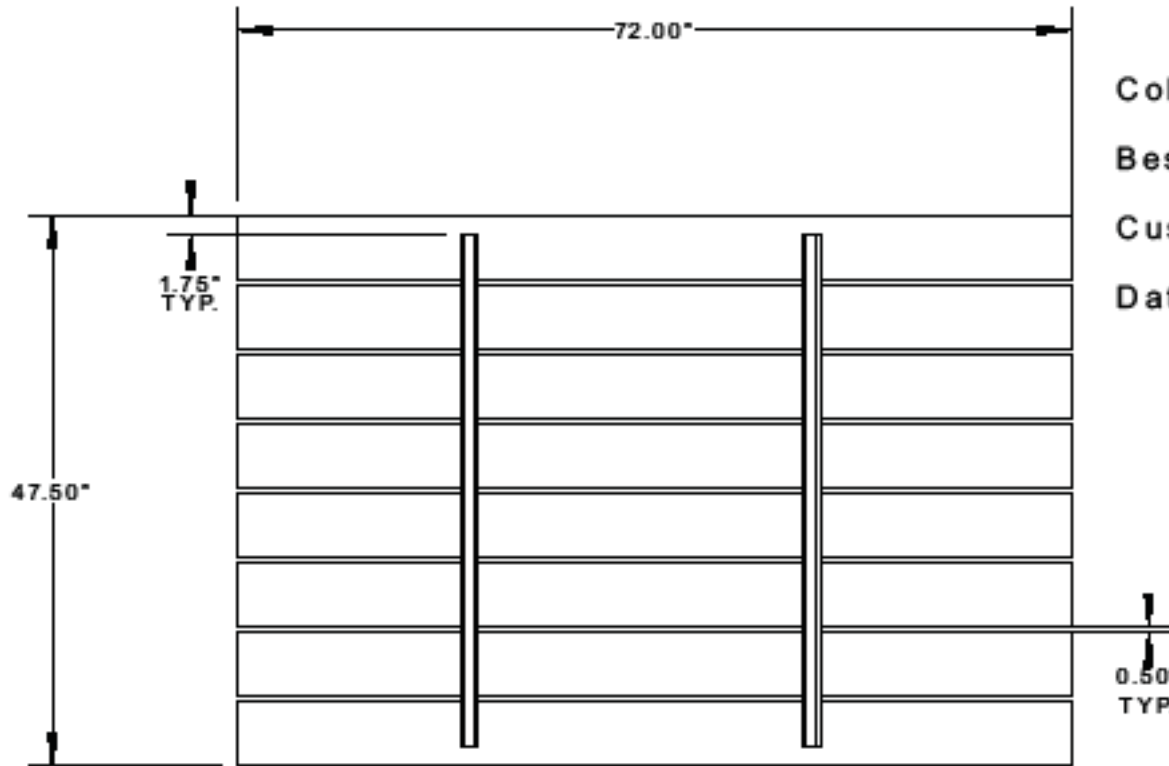
Also, determine if the open ends of the boards will be left open, will require snap in end caps, or Bestdeck fascia board.



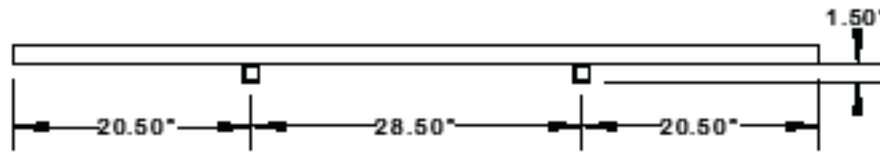
**End View**

NOTE: ALL DIMENSIONS ARE +/- 1/16"





**Bottom View**



**End View**

Color:        GRAY            SAND

BestDeck 24            16

Customer Initials: \_\_\_\_\_

Date: \_\_\_\_\_

Please circle the color of the decking; the board size - 24 is 2" x 4" (1.5" x 5.5") or 16 is 5/4 x 6" (1.25" x 5.5"); and the direction and the dimensions of the panel is correct.

Board Direction: Normal placement of the boards in a panel is perpendicular to the traffic direction of the dock section. This allows for a smooth transition from panel to panel where the finished edge (5.5") meet.

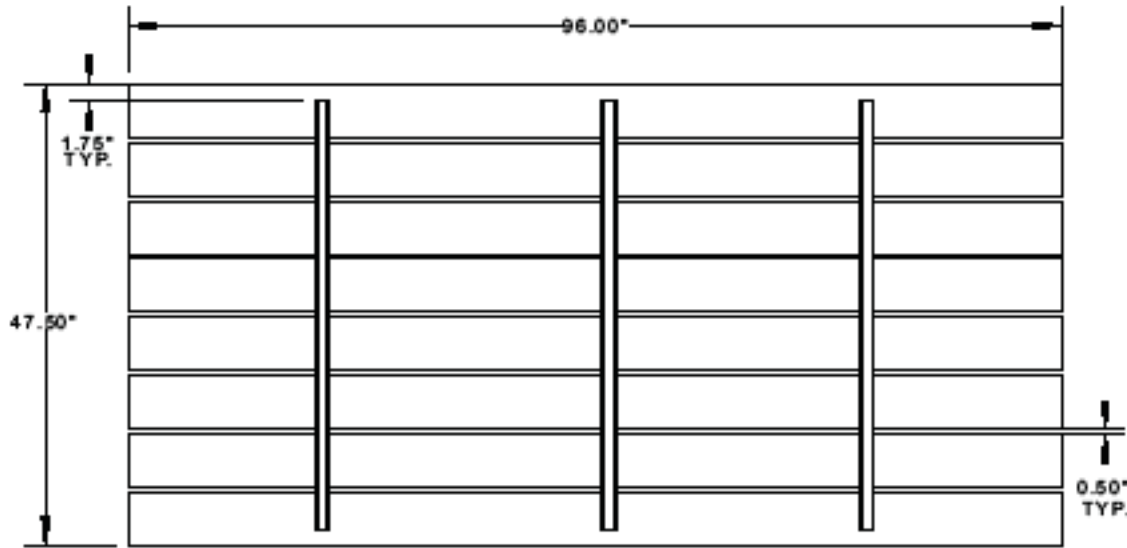
Note that the 4' panel width dimension is actually 47.5" to allow equal spacing between panels.

Make sure that the direction and position of the underside cleats will fall between the stringers of your dock frame; and that the 1.75" spacing from the end of the cleat to the finished edge of the boards is adequate to miss perpendicular cross members.

Also, determine if the open ends of the boards will be left open, will require snap in end caps, or Bestdeck fascia board.

NOTE: ALL DIMENSIONS ARE +/- 1/16"





Bottom View



End View

NOTE: ALL DIMENSIONS ARE +/- 1/16"

Color:        GRAY            SAND

BestDeck 24            16

Customer Initials: \_\_\_\_\_

Date: \_\_\_\_\_

Please circle the color of the decking; the board size - 24 is 2" x 4" (1.5" x 5.5") or 16 is 5/4 x 6" (1.25" x 5.5"); and the direction and the dimensions of the panel are correct.

Board Direction: Normal placement of the boards in a panel is perpendicular to the traffic direction of the dock section. This allows for a smooth transition from panel to panel where the finished edge (5.5") meet.

Note that the 4' panel width dimension is actually 47.5" to allow equal spacing between panels.

Make sure that the direction and position of the underside cleats will fall between the stringers of your dock frame; and that the 1.75" spacing from the end of the cleat to the finished edge of the boards is adequate to miss perpendicular cross members.

Also, determine if the open ends of the boards will be left open, will require snap in end caps, or Bestdeck fascia board.

