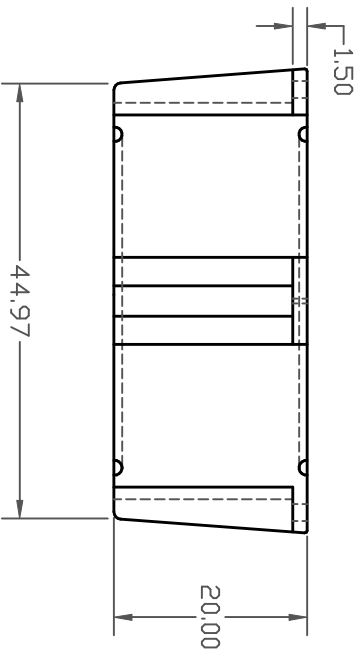
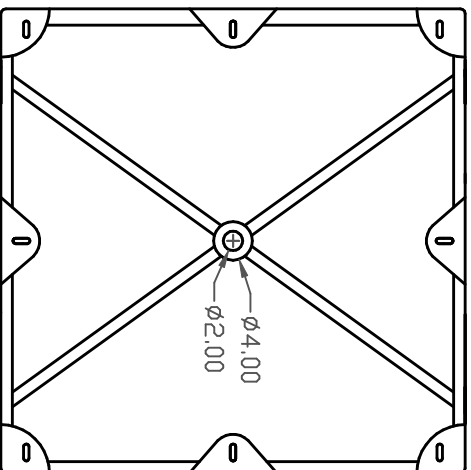
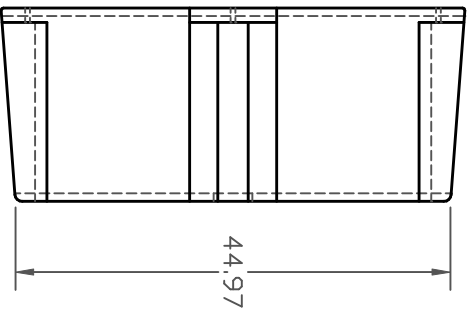
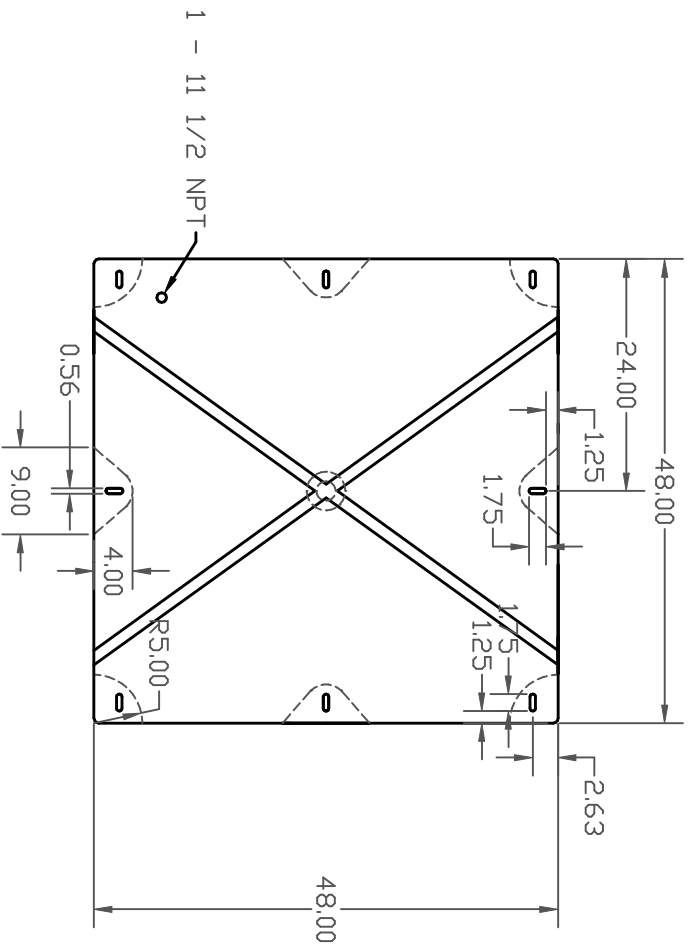


AT4848-20SQ

B



© DEN HARTOG INDUSTRIES, INC.
 Copyright. All information furnished within this document, electronic file or design correspondence is the property of Den Hartog Industries Inc. and shall not be used, disclosed to others or copied without the expressed written consent of Den Hartog Industries, Inc.

REV	DESCRIPTION	DATE	APPRD.	DRAWN / DATE	MATERIAL / SHOT WEIGHT
B	CHANGE PART # ADD SQ	5/17/04	DHJ	12/17/03	
A	CHANGE WEIGHT	5/17/04			
REV	DESCRIPTION	DATE	APPRD.	DRAWN / DATE	MATERIAL / SHOT WEIGHT
			ADH	11/7/07	93 LBS.

THIRD ANGLE PROJECTION
 ANSI 14.5M



ALL DIMENSIONS ARE IN DECIMAL INCHES
 TOLERANCES UNLESS OTHERWISE SPECIFIED
 ± 1% @ 68° F



Ace Roto-Mold
 A DIVISION OF DEN HARTOG INDUSTRIES, INC.

CLIENT / DESCRIPTION

4848-20 AIR TANK

SCALE NONE

PART NO.

AT4848-20SQ