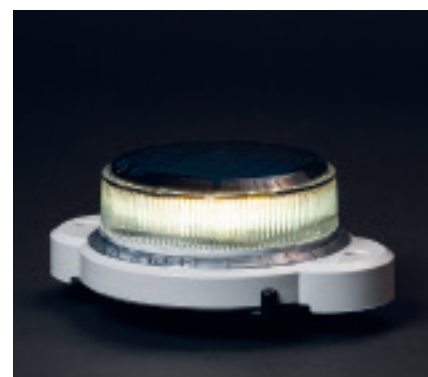
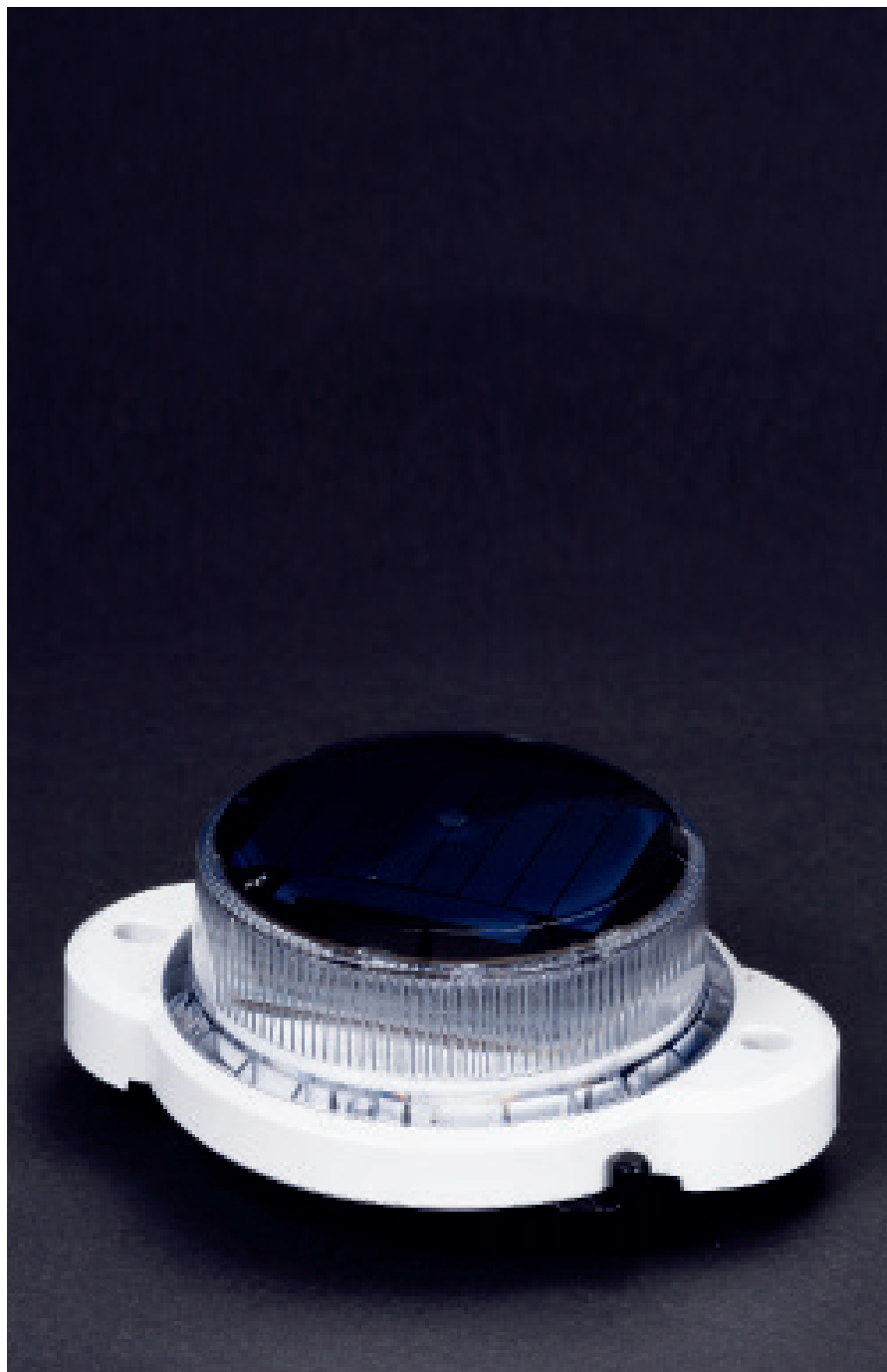


## M550

Solar Powered  
LED Marine Lantern,  
1 to 3 NM Range

Leveraging custom optics, high-efficiency solar panels, and premium materials, this miniature solar LED marine lantern offers up to three times the range at half the size of its M502 predecessor. Now with replaceable, recyclable batteries this lantern provides excellent value and reliable operation over the long term. Battery life expectancy is five years with product life up to 15 years and a three-year warranty. Ideal for marine aids-to-navigation, marina lighting, dock lighting, and port lighting. To view performance in your installation location, visit [www.sabik-marine.com](http://www.sabik-marine.com) ->Marine Selector Tool

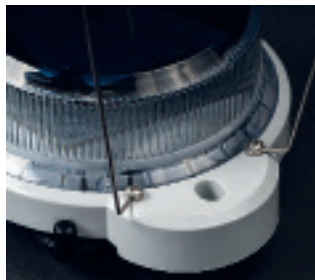
- **40 user-adjustable flash patterns and programmable intensities**
- **Replaceable, recyclable, high-temperature-rated NiMH AA batteries**
- **Automatic Light Control (ALC) 2.0; achieve optimal intensities throughout the year**
- **Premium grade, UV resistant polycarbonate body and lens material**
- **IP 68 rated**
- **Ventilated battery compartment**





### Solar Modules

High-efficiency cells embedded in shatterproof polyurethane.



### Bird Deterrent

Stainless steel bird deterrent available as accessory. Fits up to four per lantern.



### Installation

Simple installation using 2 x M6 bolts on a 127 mm diameter. No additional mounting hardware required.



### Pole Mount

Easily adjusts to 2 3/8 inch, 60mm or 1 7/8 inch, 48 mm pole dimensions.



### Batteries

Replaceable and recyclable NiMH batteries with extreme temperature range and 5-year life expectancy.



### IR Controller

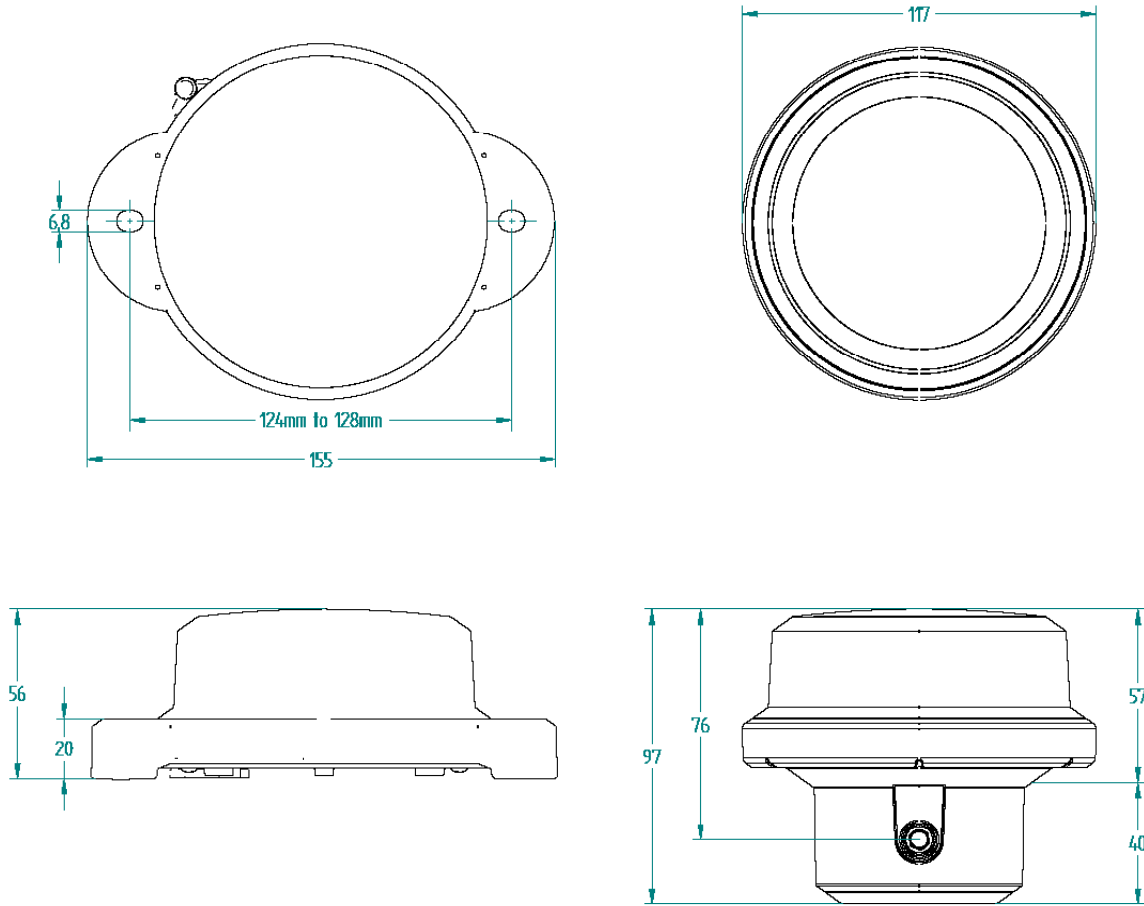
Check battery status, change flash code, adjust light intensity and turn lantern off with optional mini IR (Infrared) programmer.



### External Switch

Optional external ON/OFF switch.

## Technical Specification M550



### Optical performance

#### Maximum fixed intensity

18 cd	23 cd	29 cd	25 cd	8 cd
-------	-------	-------	-------	------

#### Vertical Divergence

8°

NOTE: Peak IALA intensity dependent on location. To view performance in your installation location, visit [www.carmanahmarine.com/selector](http://www.carmanahmarine.com/selector).

## Main Technical Specification

<b>Construction</b>	Premium grade, UV resistant polycarbonate lens/head and polycarbonate/polysiloxane co-polymer base.
<b>Lens visual/Mechanical diameter</b>	102 mm
<b>Lens material</b>	UV stabilized polycarbonate
<b>Light source</b>	High Flux Surface Mount LED
<b>Solar module</b>	High efficiency cells
<b>Battery</b>	NiMH AA batteries
<b>Degree of ingress protection</b>	IP 68
<b>Weight</b>	Flange Mount: 0.37 kg (0.8 lbs) Pole Mount: 0.40 kg (0.9 lbs)
<b>Overall height</b>	56 mm (flange mount), 97 mm (pole mount)
<b>Overall width</b>	155 mm dia.
<b>Installation</b>	2 x M6 on 128 mm dia.

## Order Overview M550

### Option matrix

<b>M550 Flange Mount - Switched</b>	2-bolt mount with ON/OFF switch
<b>M550 Flange Mount - Unswitched</b>	2-bolt mount. No ON/OFF switch
<b>M550 Pole Mount</b>	Pole mount. No ON/OFF switch

### Accessories

<b>69935</b>	<b>Pole Mount Replacement/Conversion Kit</b>
<b>70943</b>	<b>Flange Mount Replacement/Conversion Kit</b>
<b>70937</b>	<b>Switched Kit (compatible with Flange Mount only)</b>
<b>70955</b>	<b>Replacement NiMH batteries</b>
<b>69934</b>	<b>Bird Deterrent (single)</b>

### Product codes

<b>Colour</b>	<b>M550 Flange unswitched</b>	<b>M550 Flange switched</b>	<b>M550 Pole</b>
<b>red</b>	M550RF	M550RF-S	M550RP
<b>green</b>	M550GF	M550GF-S	M550GP
<b>white</b>	M550WF	M550WF-S	M550WP
<b>yellow</b>	M550YF	M550YF-S	M550YP
<b>blue</b>	M550BF	M550BF-S	M550BP